

Innodisk DRAM At-a-Glance

The Innodisk Advantage

Customer Design Options

Innodisk offers hardware and firmware customization services to ensure successful application needs.

Rugged Design

Rugged DIMM modules are designed with a pair of mounting holes, for more secure mounting on the CPU board. They are resistant to shock and vibration for stable system operations.

Heat Spreader

DRAM module add-on that helps to passively disperse heat by cooling the module by 4 to 5 percent.

Warranty

Lifetime Warranty on DRAM products includes examination, repair and replacement parts.

Conformal Coating

Conformal coating is the chemical material layered over the components to protect against moisture, contaminants, and dust and acid-or-alkaline materials. The coating thickness ranges between 0.03mm and 0.13 mm and meets electronic components IPC-A-610 standards.

Wide Temperature

Wide Temperature DRAM modules are designed for applications operating in harsh conditions. Industrial-grade SDRAM components are used with 30u" Gold fingers to ensure memory quality at temperatures ranging from -40°C to 85°C.

Anti-sulfuration

Anti-sulfuration effectively covers the resistors with a sulfur resistant material, ensuring smooth operation in harsh environments. It is available on all DDR4 modules.

Side Fill

Side fill technology improves the device's reliability and extend product life during strong tremors or stringent thermal cycling. Resin is applied to 3 sides of the DRAM IC reinforcing the BGA and the PCB joint, so it can tolerate 1.5 times the amount of tension.

DRAM Series

Innodisk's industrial-grade DRAM series, DDR4, DDR3, DDR2, DDR1, and SDRAM, are high-quality memory modules designed and developed for embedded and server needs providing a complete turnkey solution.



Registered DIMM

Ideal for Server and AIOT

- Capacity: 2/4/8/16/32/64
- Generation: DDR3/DDR4
- Speed: 1333/1600/1866/2133/2400/2666/2933/3200 MT/s



Mini DIMM

Ideal for Server

- Capacity: 2/4/8/16GB
- Generation: DDR3/DDR4
- Speed: 1600/2133/2400 MT/s
- Functionality: Registered, non-ECC



Non-ECC Series

Ideal for AIOT and Industrial

- Capacity: 128/256/512MB, 1/2/4/8/16/32GB
- Generation: SDRAM/DDR1/DDR2/DDR3/DDR4
- Speed: 100/133/333/400/533/667/800/1333/1600/1866/2133/2400/2666/2933/3200 MT/s



Very Low Profile Series

Ideal for Server, AIOT, and Industrial

- Capacity: 1/2/4/8/16GB/32GB
- Generation: DDR2/DDR3/DDR4
- Speed: 1333/1600/1866/2133/2400/2666/2933/3200 MT/s
- Form factor: SODIMM, UDIMM, RDIMM
- Functionality: Registered, ECC, non-ECC



Mounting Rugged SODIMM

Ideal for Ruggedized

- Capacity: 4/8/16GB
- Generation: DDR4
- Speed: 2133/2400/2666 MT/s
- Customizable Mounting Holes
- Functionality: ECC, non-ECC



Wide Temperature Series

Ideal for Ruggedized, Industrial, and Server

- Capacity: 1/2/4/8/16GB/32GB
- Generation: DDR2/DDR3/DDR4
- Speed: 533/667/800/1333/1600/1866/2133/2400/2666/2933/3200 MT/s
- Functionality: Registered, ECC, non-ECC,

DRAM Series

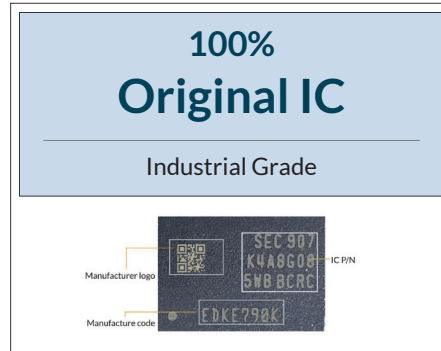


ECC Series

Ideal for AIOT and Industrial

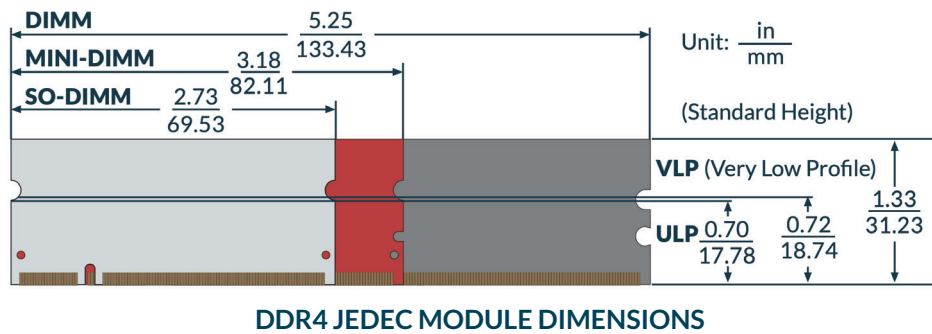
- Capacity: 1/2/4/8/16/32GB
- Generation: DDR2/DDR3/DDR4
- Speed: 667/800/1333/1600/1866/2133/2400/2666/2933/3200 MT/s
- Functionality: ECC

Original IC



iRAM

Innodisk's proprietary iRAM stress testing software integrates a wide range of test patterns and system levels to ensure the quality and reliability of our modules are defect and issue free. Compared with existing testing software on the market, iRAM is able to reduce testing time by half and increase test stringency by 150 to 200%.



DRAM Vertical Markets

Server	AIOT	Ruggedized	Industrial
Networking/5G	Manufacturing	Smart In-Vehicle	Healthcare
High Performance Computing	Kiosk/Retail	Outdoor Signage	Gaming
Cloud Computing	Robotics/AI	Aerospace	Surveillance

About Innodisk

Innodisk is a service-driven provider of flash memory, DRAM modules and embedded peripherals for industrial and enterprise applications.

Founded in 2005 and headquartered in Taipei, Taiwan, Innodisk services clients globally with engineering experts and sales teams providing service to satisfied customers across the embedded, aerospace and defense, cloud storage markets and more. Demonstrating technical experience, a commitment to dependable products and unparalleled service, Innodisk develops products with excellent quality, remarkable performance and the highest reliability.

For more information about Innodisk, please visit <http://www.innodisk.com>.